

AHWC

Air Handling Wide Continuous RECESSED LUMINAIRE



Features

- 0.7mm Zinc Anneal Steel Body
- Coated in White Polyester Powder
- Continuous Air Slot Per Side
- Suitable for Metric Tee Bar Grid
- Twin & Triple Lamp Versions

Applications

- Offices
- General Lighting

T8 Luminaires

Product	Lamp	Width	Length	Height	Weight	Tee Bar	I-Line
AHWC218	2x18W T8	595mm	630mm	95mm	3.0kg	600x600mm	0.23A
AHWC236	2x36W T8	595mm	1240mm	95mm	4.5kg	600x1200mm	0.44A
AHWC318	3x18W T8	595mm	630mm	95mm	4.0kg	600x600mm	0.36A
AHWC336	3x36W T8	595mm	1240mm	95mm	5.5kg	600x1200mm	0.66A

* SOME OPTIONS & ACCESSORIES ARE NOT APPLICABLE TO ALL PRODUCTS

* OTHER PRODUCT COMBINATIONS AVAILABLE ON REQUEST

Accessories

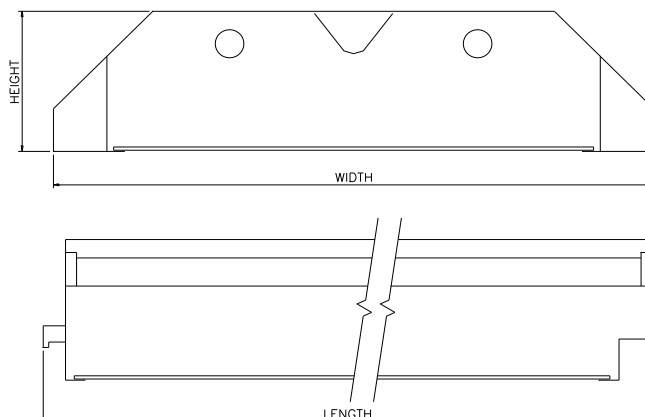
- Diffusers
- Egg-crate + Trim
- Hinge frames
- Lamps

Options

- Internal Fuse
- Electronic Control Gear
- Dimming
- Iron Core Control Gear
- Separate Switch
- Blocking Inductor
- Emergency
- Imperial Tee Bar Ceilings

Compliance

AS60598
CISPR15
EMC



Disclaimer:

Whilst every care has been taken to ensure its accuracy, Harcroft Lighting will not accept responsibilities for any errors and omissions. Harcroft Lighting reserves the right to make changes from time to time without notice or obligation in specification, design, colour or materials including alterations to or discontinue models.