

HLS LED HIGH LIGHTER SURFACE



HARCROFT LIGHTING

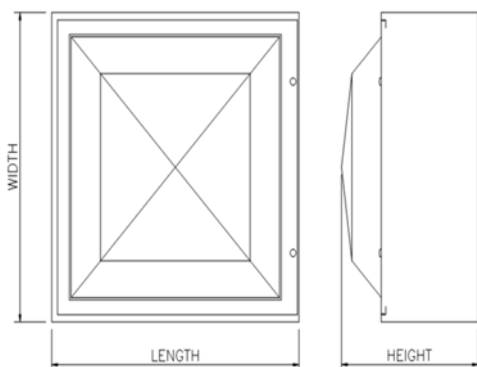
Proudly Australian Owned and manufactured



Our HLS high lighter surface LED canopy light is an ideal application for service facilities, take away food outlets, parking stations, garages, stairwells, loading docks, cold storage, indoor sporting facilities and underpasses.

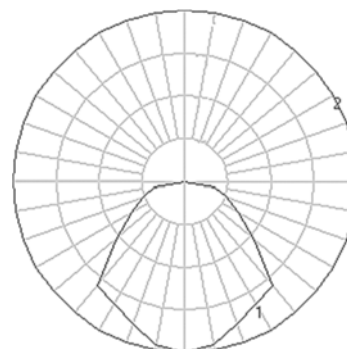
The canopy fitting for 24/7 lighting applications

Part No	Power consumption (Watts)	CCT.	CRI	COB Lumens	Lumen Flux	Lifetime	Size Length x width x height	Mounting centres	Weight (Mass)
HLS20000AA830	160W	3000K	>80	20000lm	16000lm	50,000h	630x630x230mm	490x490mm	9kg
HLS20000AA840	160W	4000K	>80	20000lm	16000lm	50,000h	630x630x230mm	490x490mm	9kg
HLS20000AA860	160W	6000K	>80	20000lm	16000lm	50,000h	630x630x230mm	490x490mm	9kg
HLS36000AA830	230W	3000K	>80	32000lm	23800lm	50,000h	630x630x230mm	490x490mm	9kg
HLS36000AA840	230W	4000K	>80	32000lm	23800lm	50,000h	630x630x230mm	490x490mm	9kg
HLS36000AA860	230W	6000K	>80	32000lm	23800lm	50,000h	630x630x230mm	490x490mm	9kg



Standard Features

0.7mm Zinc annelid body
powdered coated white
acrylic diffuser
Weather proof IP44
Surface mount
5 year warranty (subject to
stander terms & conditions)



Options

Colour temperature options
Optional powder coated colours available
Dimmable driver available
DALI addressable
This fitting can be modified to order please contact sales for your requirements

COMPLIANCE

AS60598
CISPR15
EMC
IP44
Input Voltage 220-240 / 50Hz

Disclaimer:

Whilst every care has been taken to ensure its accuracy, Harcroft Lighting will not accept responsibilities for any errors and omissions. Harcroft Lighting reserves the right to make changes from time to time without notice or obligation in specification, design, colour or materials including alterations to or discontinue models.