

PL LED PANEL LIGHT



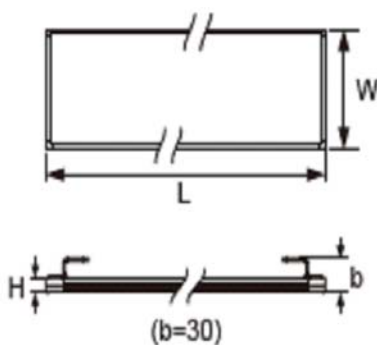
HARCROFT LIGHTING

Proudly Australian Owned and manufactured



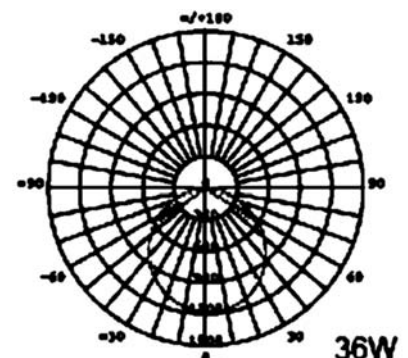
LED Panel Light, features high quality LED and control electronics. Available in various lumen packages. White trim with diffuser to give a smooth uniform light distribution. Comes with remote driver and flex and plug for ease of installation. With three colour temperatures options available.

Part No	Power consumption (Watts)	CCT	CRI	Lumen Flux	Beam Angle	Lifetime L70b50	Size (LxWxH) mm	Tee bar
PL1450LZ09AL8302FT	18w	3000k	>80	1450lm	110°	35,000h	595 x 295 x 9.5	600 x 300 mm
PLW3100LZ09AL8302FT	36w	3000k	>80	3100lm	110°	35,000h	595 x 595 x 9.5	600 x 600 mm
PL3100LZ09AL8304FT	36w	3000k	>80	3100lm	110°	35,000h	1195 x 295 x 9.5	1200 x 300 mm
PLW4000LZ09AL8304FT	56w	3000k	>80	4000lm	110°	35,000h	1195 x 595 x 9.5	1200 x 600 mm
PL1500LZ09AL8402FT	18w	4000k	>80	1500lm	110°	35,000h	595 x 295 x 9.5	600 x 300 mm
PLW3400LZ09AL8402FT	36w	4000k	>80	3400lm	110°	35,000h	595 x 595 x 9.5	600 x 600 mm
PL3400LZ09AL8404FT	36w	4000k	>80	3400lm	110°	35,000h	1195 x 295 x 9.5	1200 x 300 mm
PLW4500LZ09AL8404FT	56w	4000k	>80	4500lm	110°	35,000h	1195 x 595 x 9.5	1200 x 600 mm
PL1500LZ09AL8502FT	18w	5000k	>80	1500lm	110°	35,000h	595 x 295 x 9.5	600 x 300 mm
PLW3400LZ09AL8502FT	36w	5000k	>80	3400lm	110°	35,000h	595 x 595 x 9.5	600 x 600 mm
PL3400LZ09AL8504FT	36w	5000k	>80	3400lm	110°	35,000h	1195 x 295 x 9.5	1200 x 300 mm
PLW3400LZ09AL8504FT	56w	5000k	>80	3400lm	110°	35,000h	1195 x 595 x 9.5	1200 x 600 mm



STANDARD FEATURES

- Super slim design
 - Extruded aluminium frame
 - Powder coated white finish
 - High transparency frosted polystyrene backed diffuser
 - High efficiency LED's
 - UGR 19
 - Suits standard metric T-bar
 - Complete with flex & plug
 - 5 Year warranty
- (subject to standard terms & conditions)



Options

- Colour temperature options
- Dimmable driver available
- Plaster mounting kit
- Surface mounting kit
- This fitting can be custom made to suit your requirements

COMPLIANCE/APPROVALS

- AS60598
- CISPR15
- EMC
- Input Voltage 220-240 / 50HzS
- SAA

Website: www.harcroftlighting.com.au Phone:(02) 9624 7244 Fax: (02) 9624 7544 Email: sales@harcroftlighting.com.au

Disclaimer:

Whilst every care has been taken to ensure its accuracy, Harcroft Lighting will not accept responsibilities for any errors and omissions. Harcroft Lighting reserves the right to make changes from time to time without notice or obligation in specification, design, colour or materials including alterations to or discontinue models.