

# DFT LED

## Dialux frosted twin body



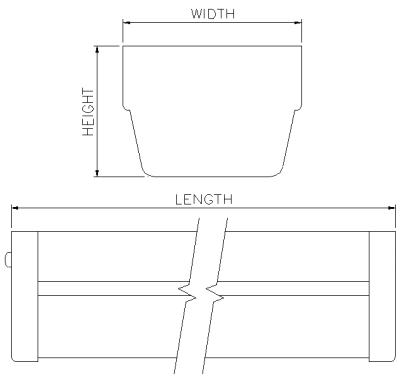
# HARCROFT LIGHTING

Proudly Australian Owned and manufactured



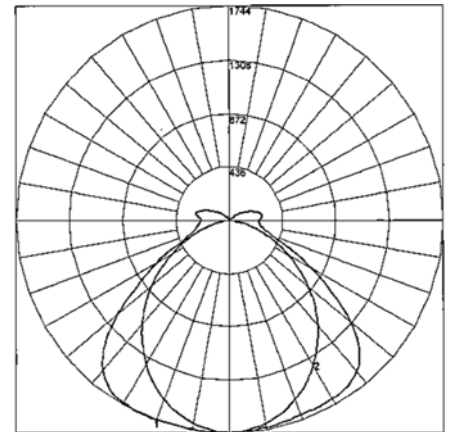
DFT LRD the Dialux frosted twin body LED batten. It is single strip LED that is stylish as well as functional. Ideal for retrofit situations that require a large foot print avoiding re-painting

Part No	Power consumption (Watts)	CCT	CRI	COB Lumens	Lumen Flux	Mtg Ctrs	Lifetime L70b50	Size ( LxWxH ) mm	Mounting centres	Weight (Mass)
DFT157AA830	40w	3000k	>80	5700lm	5400lm	1150	50,000h	1175 x 138 x 106	1000mm	3.0kg
DFT157AA840	40w	4000k	>80	5700lm	5400lm	1150	50,000h	1175 x 138 x 106	1000mm	3.0kg
DFT144AA830	32w	3000k	>80	4400lm	4160lm	1150	50,000h	1175 x 138 x 106	1000mm	3.0kg
DFT144AA840	32w	4000k	>80	4400lm	4160lm	1150	50,000h	1175 x 138 x 106	1000mm	3.0kg
DFT128AA830	20w	3000k	>80	2800lm	2650lm	525	50,000h	615 x 138 x 106	525mm	2.0kg
DFT128AA840	20w	4000k	>80	2800lm	2650lm	525	50,000h	615 x 138 x 106	525mm	2.0kg
DFT122AA830	16w	3000k	>80	2200lm	2100lm	525	50,000h	615 x 138 x 106	525mm	2.0kg
DFT122AA840	16w	4000k	>80	2200lm	2100lm	525	50,000h	615 x 138 x 106	525mm	2.0kg



### FEATURES

- 0.7mm Zinc anneal steel
- Powder coated white
- Frosted diffuser & end caps
- Single or continuous mounting
- Average lifetime 50,000 hours
- IP40
- Can be wall mounted



### OPTIONS

- Colour temperature options
- Optional powder coated colours available
- Dimmable driver available
- DALI addressable
- Surface mounted
- Suspension options

### Compliance / Approvals

- AS60598
- CISPR15(EMC)
- SAA
- Input Voltage 220-240 / 50Hz

**Disclaimer:**

Whilst every care has been taken to ensure its accuracy, Harcroft Lighting will not accept responsibilities for any errors and omissions. Harcroft Lighting reserves the right to make changes from time to time without notice or obligation in specification, design, colour or materials including alterations to or discontinue models.